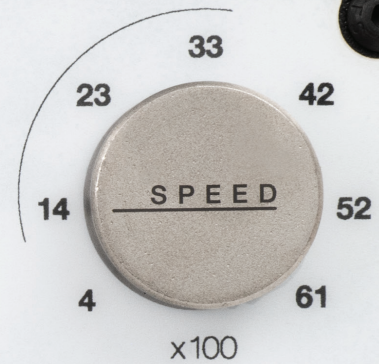


## PARTS & MAINTENANCE MANUAL for 005-995



# GRAVERMAX®

### PRIOR TO ANY SERVICE OR REPAIR FOLLOW THESE STEPS:

1. Power off machine by pressing power on/off button
2. Disconnect machine from power at the 24-volt power receptacle.
3. Turn off air compressor and shut off air supply at compressor.
4. Bleed residual air from system by depressing foot throttle.
5. Detach air hose from air supply input push-to-connect fitting

## SERVICE & REPAIR

Please call GRS® or an authorized GRS® dealer to order replacement parts and for instructions on replacement. Do not attempt to service parts that must be sent to GRS® or an authorized GRS® dealer; these must be repaired or replaced by

GRS® or an authorized GRS® dealer. Servicing parts not signified as operator serviceable will void the 2-year warranty. **Any part not noted as replaceable or serviceable by the operator must be sent in to GRS® or an authorized GRS® dealer for repair.**

## ORDER REPAIR OR REPLACEMENT PARTS

*These parts are replaceable by the operator. Normal Wear and Tear, Abuse, Misuse, or Loss are not covered by warranty. See illustrations on page 2.*

|                     |                       |                           |         |
|---------------------|-----------------------|---------------------------|---------|
| FOOT THROTTLE ..... | 044-525               | FILTER MOUNT BRACKET..... | 044-414 |
| POWER CORD .....    | 022-993 / 022-994(EU) | SCREW.....                | 024-636 |
| POWER SUPPLY .....  | 022-987               | SCREW.....                | 024-637 |
| AIR FILTER .....    | 022-944               | FOOT THROTTLE HOSE.....   | 004-050 |
| FITTING .....       | 022-230               | FITTING .....             | 002-361 |

## OPERATOR SERVICEABLE PARTS

*Call GRS® or an authorized GRS® dealer for instructions and ordering information before attempting to service or replace these parts.*

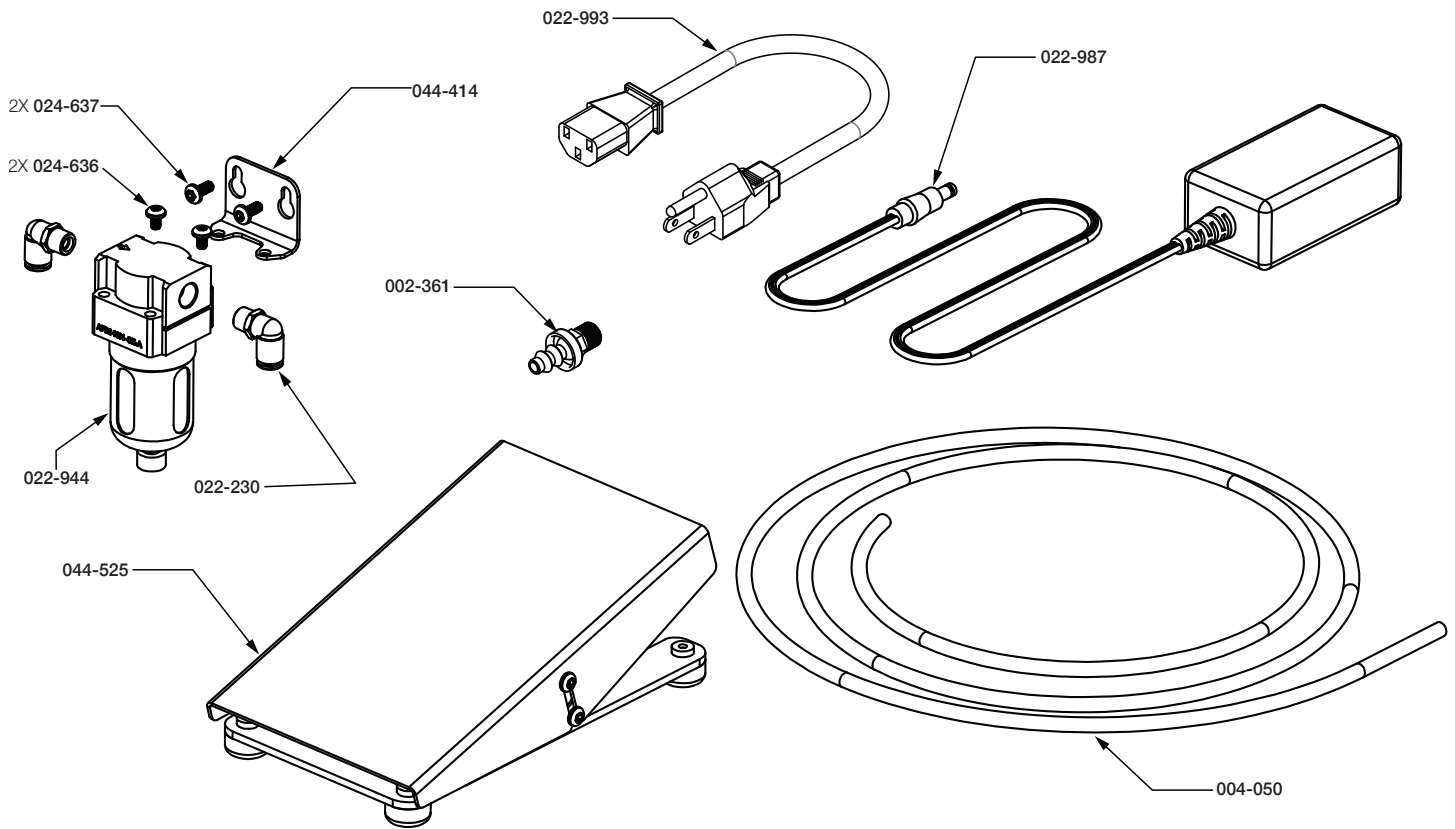
|                            |        |  |        |
|----------------------------|--------|--|--------|
| GraverMax® ENCLOSURE ..... | page 3 | Motor Assembly (not Motor Valve Assembly)..... | page 6 |
|----------------------------|--------|--|--------|

Important notes are **highlighted in yellow** or **marked in red**.

# 800-835-3519

To order replacement parts or receive instructions on replacement.

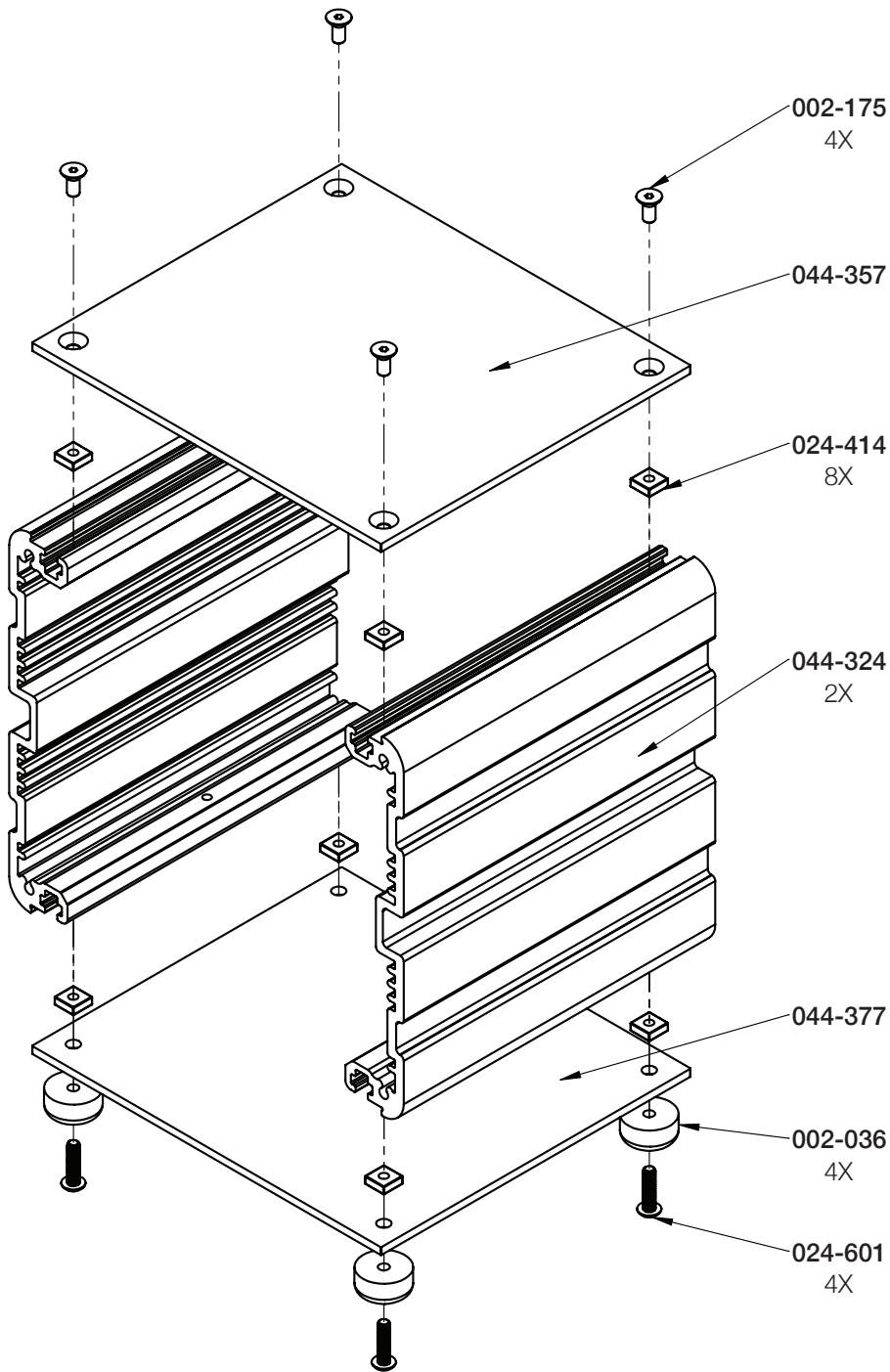
# ACCESSORIES



**PART NO. QTY. DESCRIPTION**

|         |   |                                   |
|---------|---|-----------------------------------|
| 002-361 | 1 | FITTING                           |
|         |   | NOT AVAILABLE IN EU AIR SYSTEMS   |
| 004-050 | 1 | FOOT THROTTLE HOSE                |
| 022-230 | 2 | FITTING                           |
|         |   | 024-205 FITTING FOR EU AIR SYSTEM |
| 022-944 | 1 | AIR FILTER                        |
| 022-987 | 1 | POWER SUPPLY                      |
| 022-993 | 1 | POWER CORD                        |
|         |   | 022-994 FOR EU AIR SYSTEM         |
| 024-636 | 2 | SCREW                             |
| 024-637 | 2 | SCREW                             |
| 044-414 | 1 | FILTER MOUNT BRACKET              |
| 044-525 | 1 | FOOT THROTTLE                     |

# ENCLOSURE

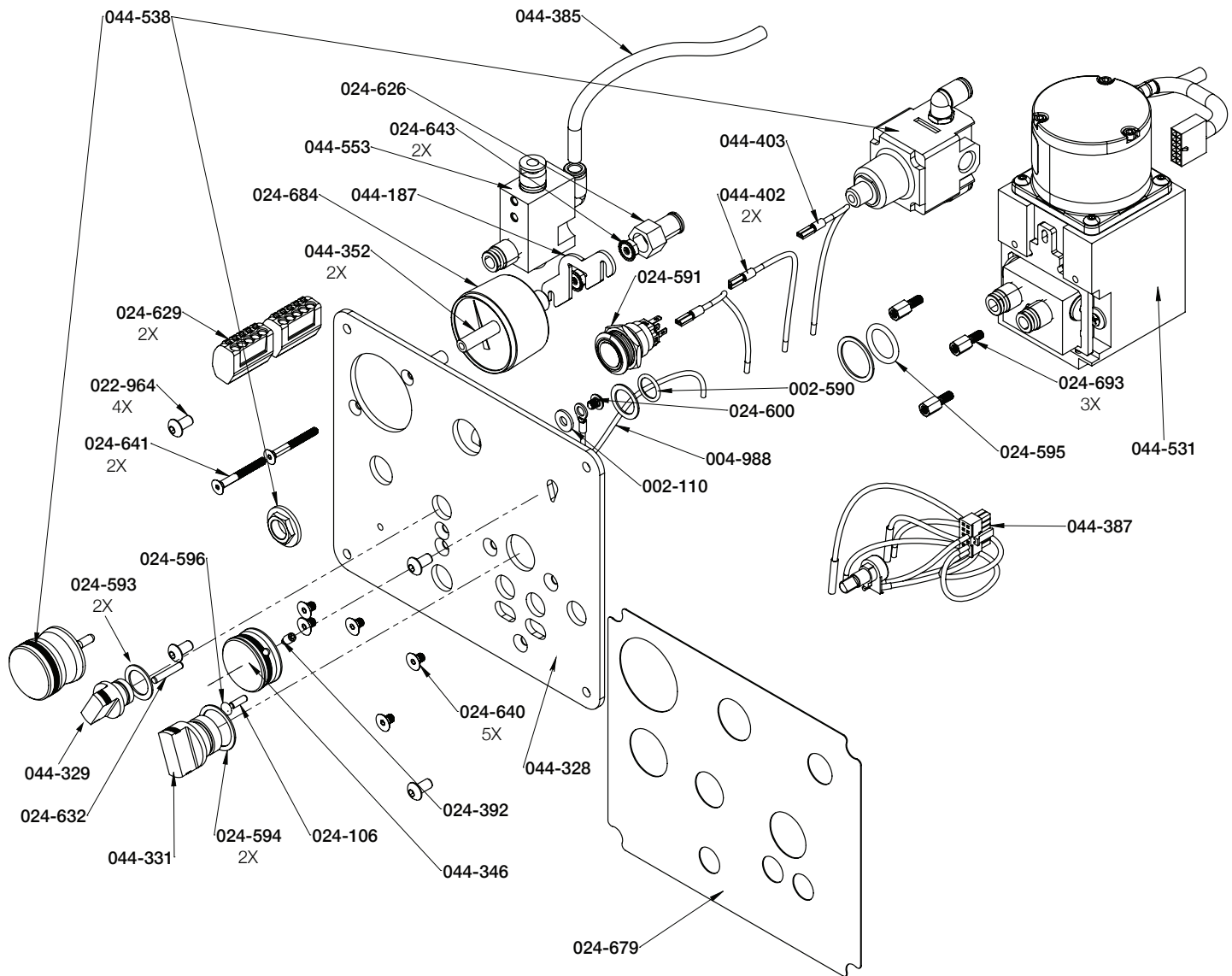


| PART NO. | QTY. | DESCRIPTION                                  |
|----------|------|--|
| 002-036  | 4    | RUBBER MOUNTING FOOT                         |
| 002-175  | 4    | SCREW  |
| 024-414  | 8    | NUT  |
| 024-601  | 4    | SCREW  |
| 044-324  | 2    | SIDE PANEL                                   |
| 044-357  | 1    | TOP COVER PANEL                              |
|          |      | 044-357-EU TOP COVER PANEL FOR EU AIR SYSTEM |
| 044-377  | 1    | BOTTOM COVER PANEL                           |

Contact GRS® or an authorized GRS® dealer for replacement parts or repairs. Visit [GRS.com/dealers](http://GRS.com/dealers) for dealers in your country.

800-835-3519

# FRONT FACE PLATE & MOTOR VALVE



## PART NO. QTY. DESCRIPTION

|         |   |                     |
|---------|---|---------------------|
| 002-110 | 1 | WASHER              |
| 002-590 | 1 | O-RING              |
| 004-988 | 1 | BLACK WIRE ASSEMBLY |
| 022-964 | 4 | SCREW               |
| 024-106 | 1 | DOWEL PIN           |
| 024-392 | 1 | SET SCREW           |
| 024-591 | 1 | POWER SWITCH        |
| 024-593 | 2 | WASHER              |
| 024-594 | 2 | WASHER              |
| 024-595 | 1 | O-RING              |
| 024-596 | 1 | O-RING              |
| 024-600 | 1 | SCREW               |
| 024-626 | 1 | CONNECTOR           |
| 024-629 | 2 | SPLICE              |
| 024-632 | 1 | DOWEL PIN           |
| 024-640 | 5 | SCREW               |
| 024-641 | 2 | SCREW               |

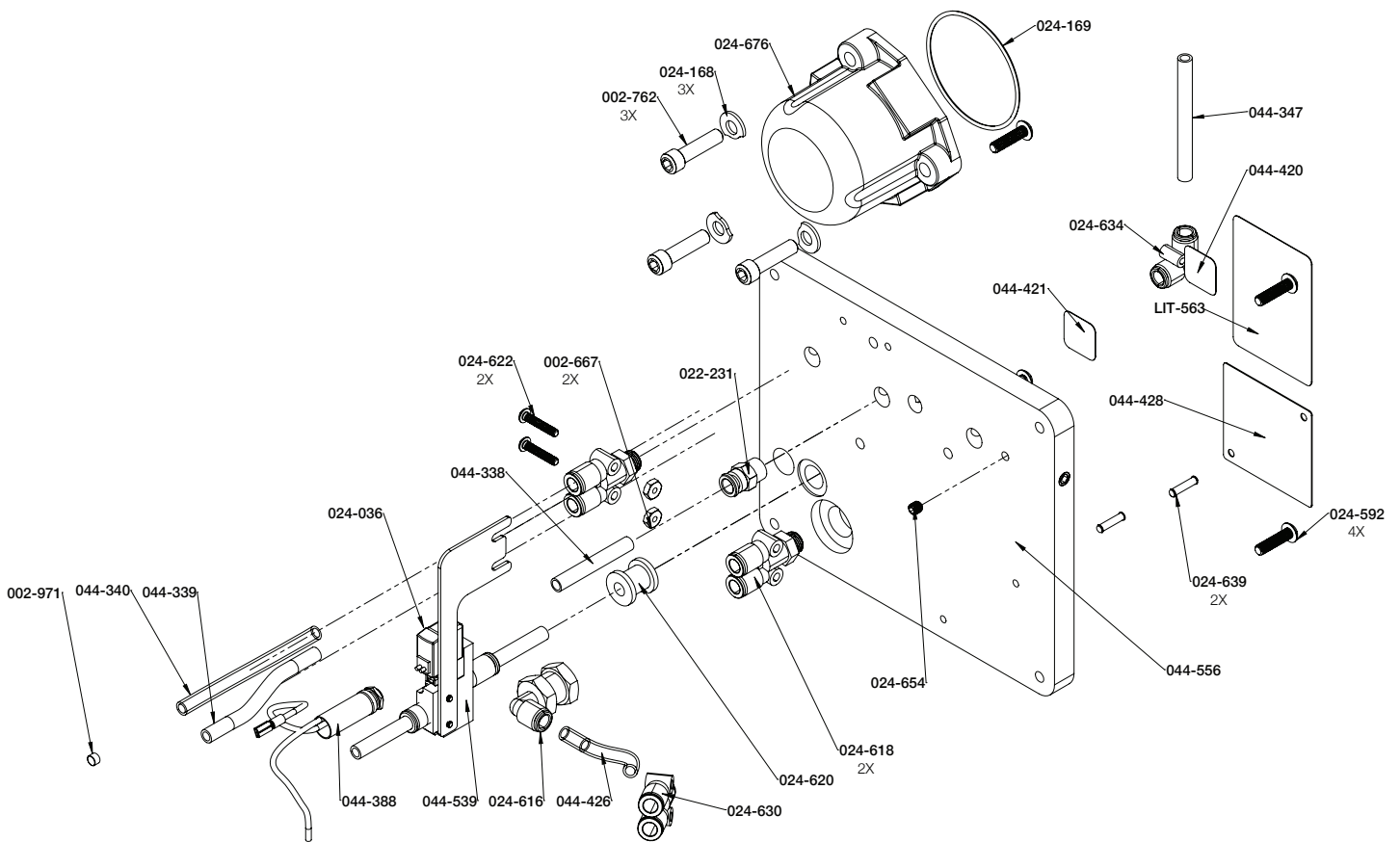
## PART NO. QTY. DESCRIPTION

|         |   |                           |
|---------|---|---------------------------|
| 024-643 | 2 | NUT                       |
| 024-679 | 1 | DECAL                     |
| 024-684 | 1 | GAUGE                     |
| 024-693 | 3 | STANDOFF                  |
| 044-187 | 1 | BRACKET                   |
| 044-328 | 1 | FRONT PANEL               |
| 044-329 | 1 | AUXILIARY AIR KNOB        |
| 044-331 | 1 | HANDPIECE SELECTOR KNOB   |
| 044-346 | 1 | SPEED CONTROL KNOB        |
| 044-352 | 2 | SPACER                    |
| 044-385 | 1 | TUBING                    |
| 044-387 | 1 | WIRE                      |
| 044-402 | 2 | RED WIRE ASSEMBLY         |
| 044-403 | 1 | BLACK WIRE ASSEMBLY       |
| 044-531 | 1 | MOTOR VALVE ASSEMBLY      |
| 044-538 | 1 | PRESSURE REGULATOR & KNOB |
| 044-553 | 1 | AUXILIARY VALVE           |

Contact GRS® or an authorized GRS® dealer for replacement parts or repairs. Visit [GRS.com/dealers](http://GRS.com/dealers) for dealers in your country.

800-835-3519

# REAR PLATE ASSEMBLY



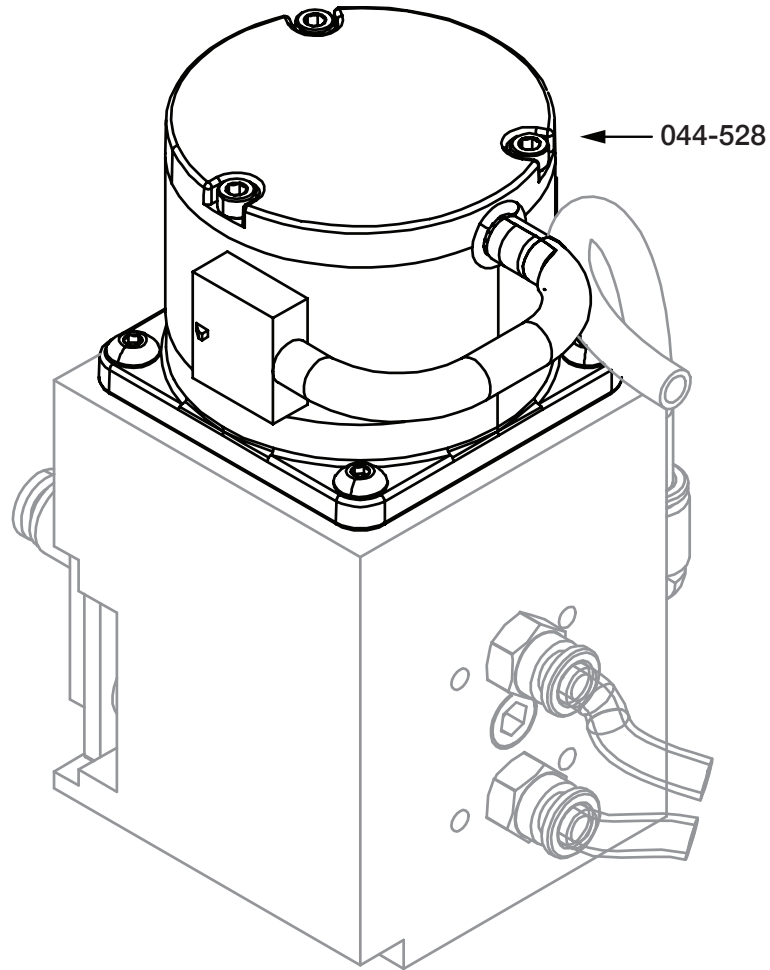
| PART NO. | QTY | DESCRIPTION    |
|----------|-----|----------------|
| 002-667  | 2   | NUT            |
| 002-762  | 3   | SCREW          |
| 002-971  | 1   | SINTERED PLUG  |
| 022-231  | 1   | FITTING        |
| 024-036  | 1   | SOLENOID       |
| 024-168  | 3   | WASHER         |
| 024-169  | 1   | O-RING         |
| 024-592  | 4   | SCREW          |
| 024-616  | 1   | BULKHEAD ELBOW |
| 024-618  | 2   | Y FITTING      |
| 024-620  | 1   | GROMMET        |
| 024-622  | 2   | SCREW          |
| 024-630  | 1   | Y UNION        |
| 024-634  | 1   | ELBOW          |
| 024-639  | 2   | RIVET          |

| PART NO.                     | QTY | DESCRIPTION           |
|------------------------------|-----|-----------------------|
| 024-654                      | 1   | HEX SCREW             |
| 024-676                      | 1   | AIR TANK              |
| 044-338                      | 1   | TUBING                |
| 044-339                      | 1   | TUBING                |
| 044-340                      | 1   | TUBING                |
| 044-347                      | 1   | TUBING                |
| 044-388                      | 1   | POWER JACK HARNESS    |
| 044-420                      | 1   | DECAL, AIR INPUT      |
| 044-421                      | 1   | DECAL, THROTTLE       |
| 044-426                      | 1   | TUBING                |
| 044-428                      | 1   | SERIAL PLATE          |
| 044-428-EU FOR EU AIR SYSTEM |     |                       |
| 044-539                      | 1   | SOLENOID VALVE        |
| 044-556                      | 1   | REAR PANEL            |
| LIT-563                      | 1   | DECAL, DRY AIR NOTICE |

Contact GRS® or an authorized GRS® dealer for replacement parts or repairs. Visit GRS®.com/dealers for dealers in your country.

800-835-3519

# MOTOR ASSEMBLY



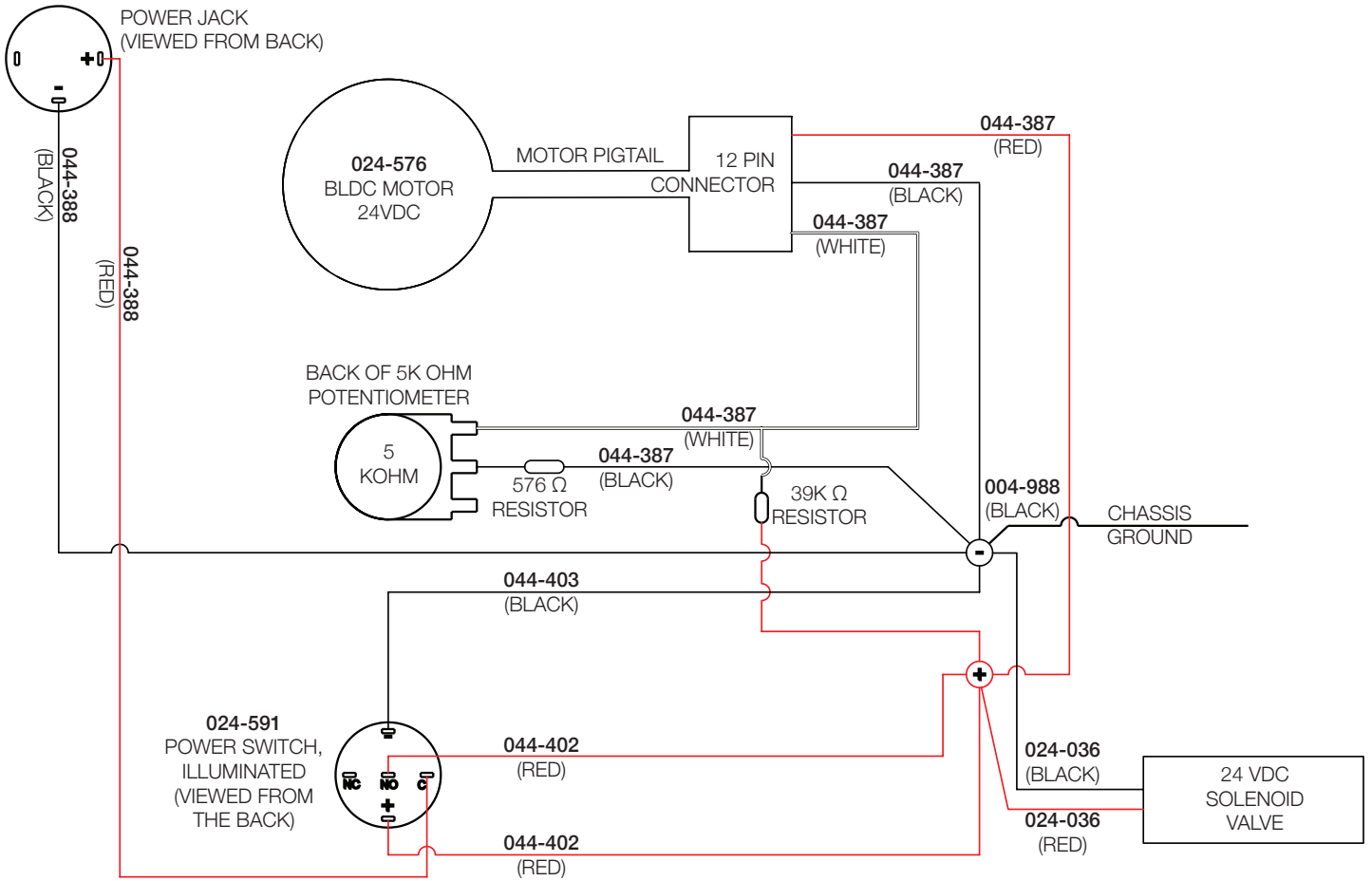
## **044-528 Motor Assembly**

The Motor Assembly is operator replaceable.  
Contact GRS® or an authorized GRS® dealer for details.

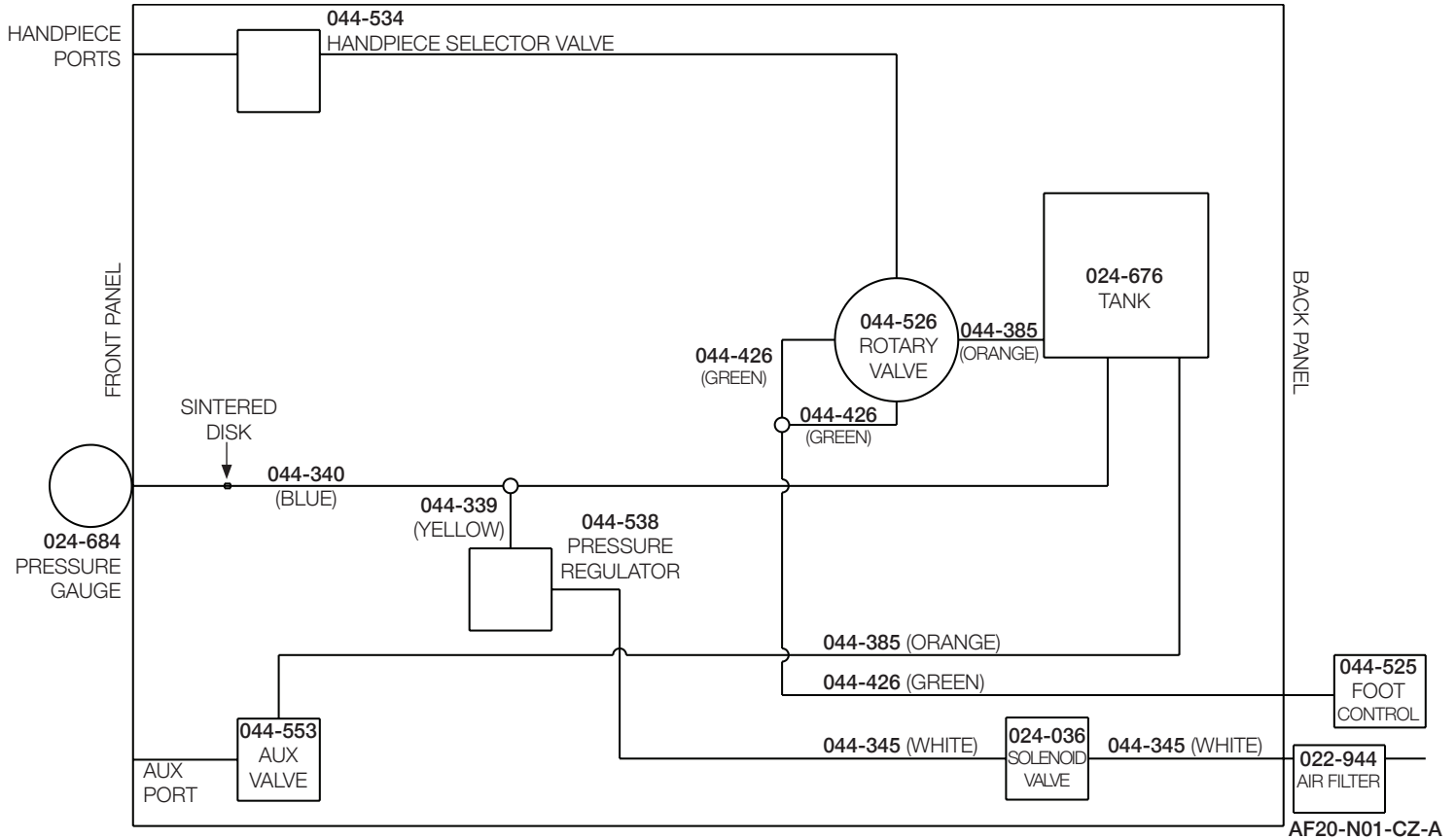
Contact GRS® or an authorized GRS® dealer for replacement parts or repairs. Visit [GRS.com/dealers](http://GRS.com/dealers) for dealers in your country.

800-835-3519

# WIRING DIAGRAM



# HOSE DIAGRAM



## WARRANTY

Each GraverMax®, including provided foot throttle, carries a full 2-year warranty covering parts and labor. Contact GRS® or an authorized GRS® dealer before returning any equipment.



These products are designed for reliable operation using most sources of compressed air. However, some air supplies contain excessive water, oil, dirt, rust, or other contaminants. The built-in filter of the engraving system is a final filter to protect against normal dirt and water. If the compressed air has excessive contaminants, install the necessary filter(s) and water trap(s) ahead of the engraving system.



Oil contamination can be gradual and subtle. If an oil residue (usually yellow or brown, sticky or liquid) becomes present in the filter bowl of the engraving system, or in the handpiece / throttle hose, the compressed air most likely contains oil or contaminants. Older oil lubricated and “silent” compressors that use internal oil are more likely to cause oil contamination. If this occurs, install a Coalescing Oil Filter (GRS® #004-730-6MM or equivalent).

**NOTE: Damage caused by contaminated compressed air is not covered by the warranty.**

**GRS®** • TOOLS  
• TECHNIQUES  
• TRAINING

**Glendo LLC**  
900 Overlander Road  
Emporia, KS 66801 USA

**Phone:** +1-620-343-1084  
**Fax:** +1-620-343-9640  
**E-mail:** glendo@glendo.com  
**grs.com**

GRS®, GraverMach® AT, GraverMach®, GraverMax® G8, GraverMax®, GraverMate®, GraverSmith®, BenchMate®, GraverMeister®, MicroBlock®, Airtact®, BenchMate Encore®, Acrobat®, Thermo-Loc®, GRS Apex®, MicroBlock®, Satellite®, 901®, C-Max®, GlenSteel®, Magnum®, GraverHone® VS, and Optia® are trademarks of Glendo LLC. Covered by USA and foreign patents.  
Printed in USA. Products made in USA.  
© 2009–2024 Glendo LLC. All rights reserved.

LIT-580\_GraverMax-Parts