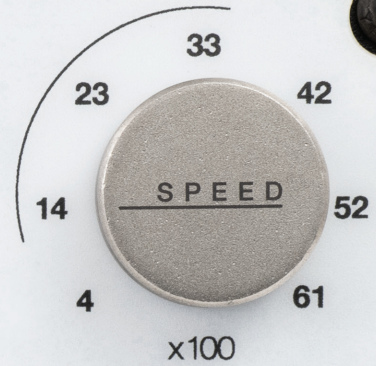


## PARTS & MAINTENANCE MANUAL for 005-965



# GRAVERMACH® AT

### PRIOR TO ANY SERVICE OR REPAIR FOLLOW THESE STEPS:

1. Power off machine by pressing power on/off button
2. Disconnect machine from power at the 24-volt power receptacle.
3. Turn off air compressor and shut off air supply at compressor.
4. Bleed residual air from system by depressing foot throttle.
5. Detach air hose from air supply input push-to-connect fitting

## SERVICE & REPAIR

Please call GRS® or an authorized GRS® dealer to order replacement parts and for instructions on replacement. Do not attempt to service parts that must be sent to GRS® or an authorized GRS® dealer; these must be repaired or replaced by

GRS® or an authorized GRS® dealer. Servicing parts not signified as operator serviceable will void the 2-year warranty. **Any part not noted as replaceable or serviceable by the operator must be sent in to GRS® or an authorized GRS® dealer for repair.**

## ORDER REPAIR OR REPLACEMENT PARTS

*These parts are replaceable by the operator. Normal Wear and Tear, Abuse, Misuse, or Loss are not covered by warranty. See illustrations on page 2.*

FOOT THROTTLE .....	044-525	FILTER MOUNT BRACKET.....	044-414
POWER CORD .....	022-993 / 022-994(EU)	SCREW.....	024-636
POWER SUPPLY .....	022-987	SCREW.....	024-637
AIR FILTER .....	022-944	FOOT THROTTLE HOSE.....	004-050
FITTING .....	022-230	FITTING .....	002-361

## OPERATOR SERVICEABLE PARTS

*Call GRS® or an authorized GRS® dealer for instructions and ordering information before attempting to service or replace these parts.*

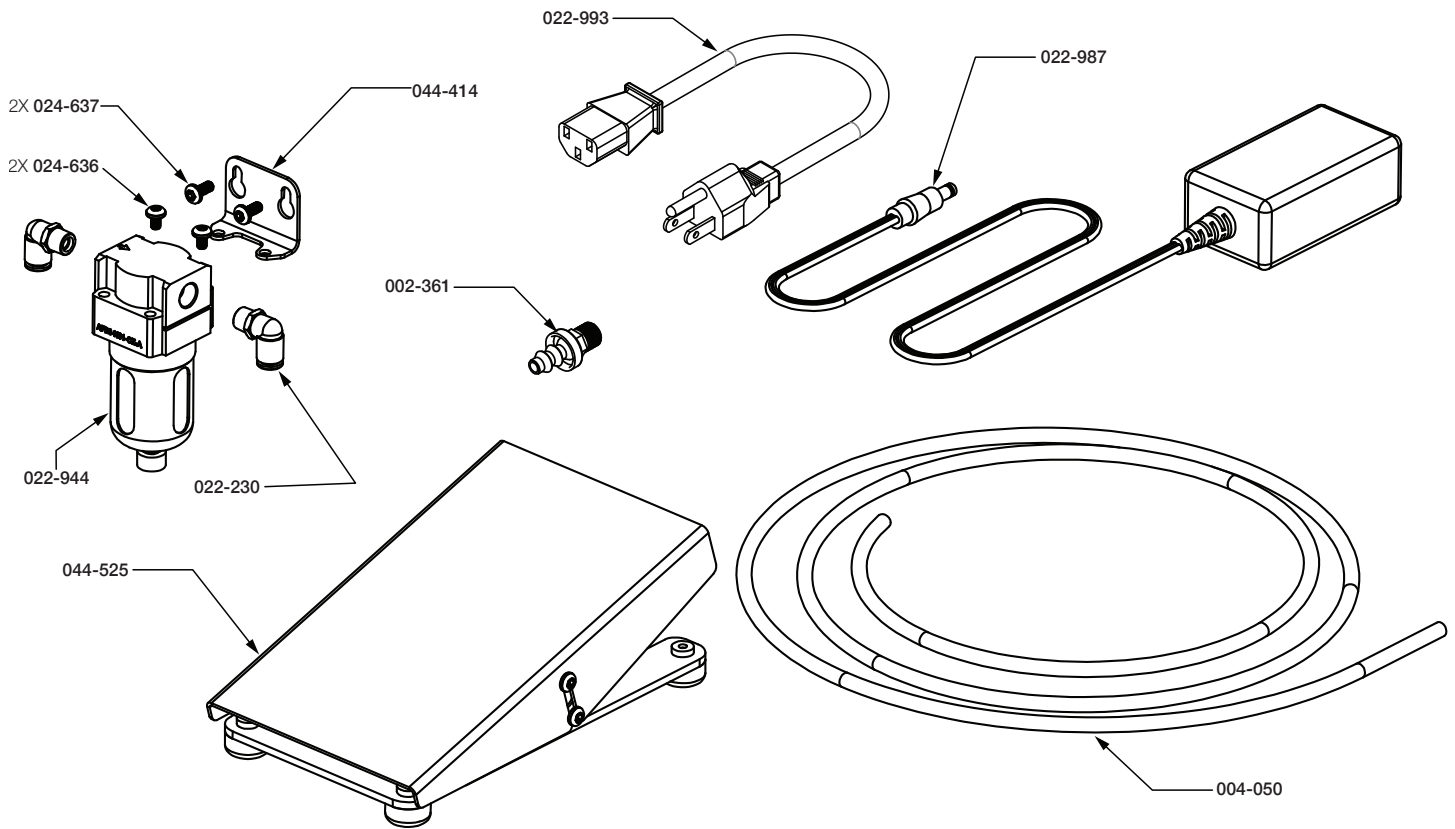
GraverMach® AT ENCLOSURE .....	page 3	Motor Assembly (not Motor Valve Assembly).....	page 6
--------------------------------	--------	--	--------

Important notes are **highlighted in yellow** or **marked in red**.

# 800-835-3519

To order replacement parts or receive instructions on replacement.

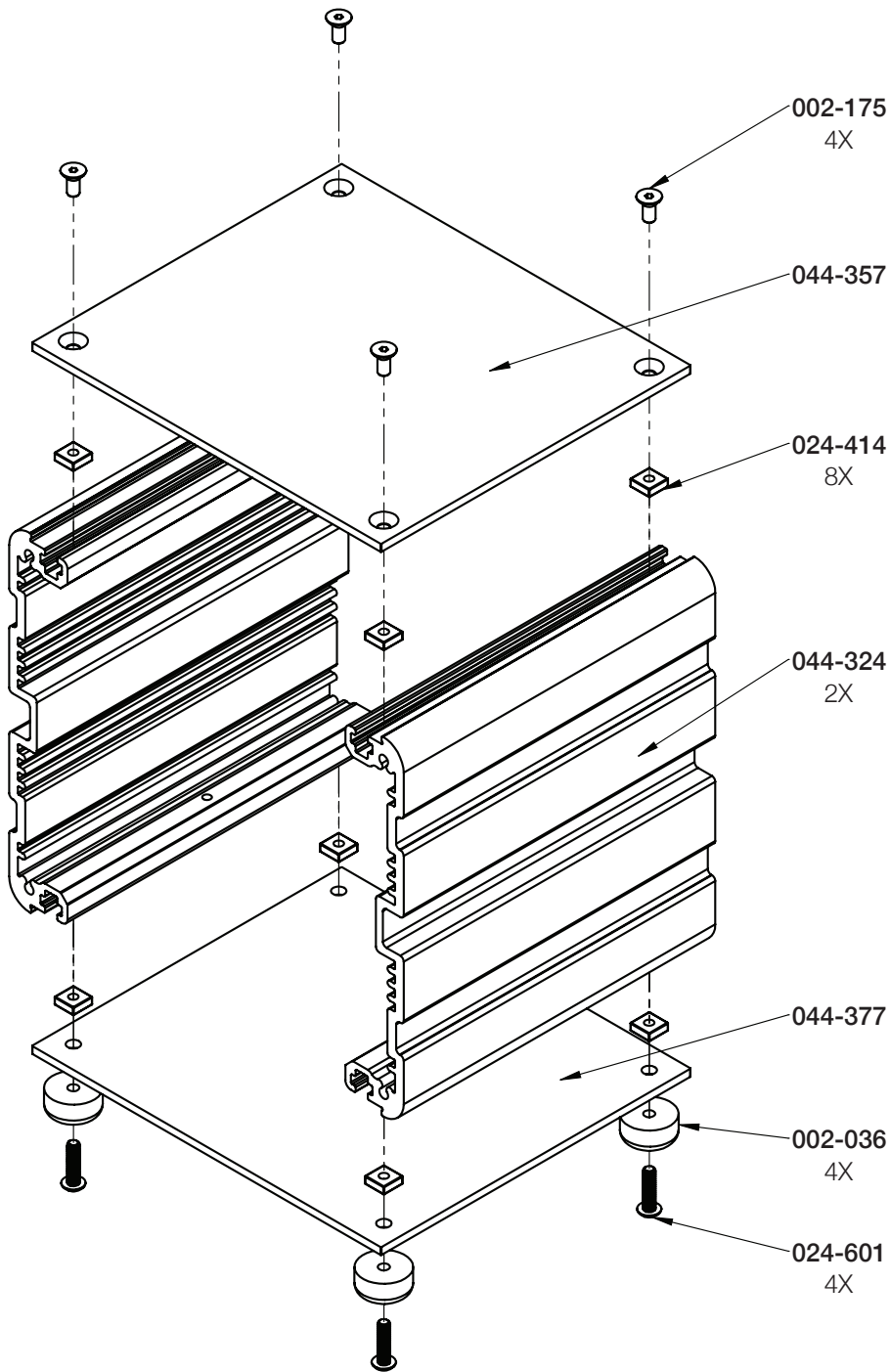
# ACCESSORIES



## PART NO. QTY. DESCRIPTION

002-361	1	FITTING NOT AVAILABLE IN EU AIR SYSTEMS
004-050	1	FOOT THROTTLE HOSE
022-230	2	FITTING 024-205 FITTING FOR EU AIR SYSTEM
022-944	1	AIR FILTER
022-987	1	POWER SUPPLY
022-993	1	POWER CORD 022-994 FOR EU AIR SYSTEM
024-636	2	SCREW
024-637	2	SCREW
044-414	1	FILTER MOUNT BRACKET
044-525	1	FOOT THROTTLE

# ENCLOSURE

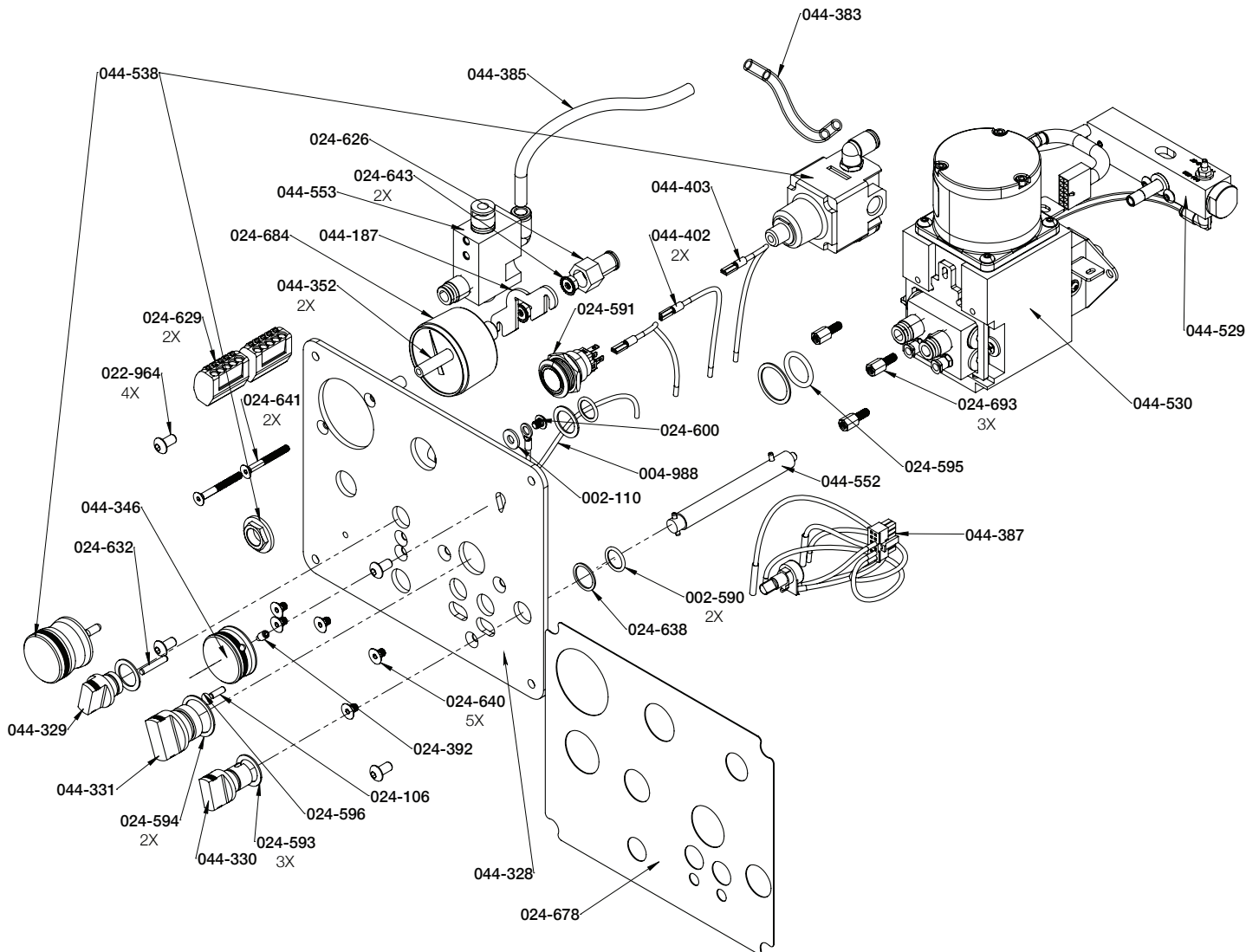


PART NO.	QTY.	DESCRIPTION
002-036	4	RUBBER MOUNTING FOOT
002-175	4	SCREW
024-414	8	NUT
024-601	4	SCREW
044-324	2	SIDE PANEL
044-357	1	TOP COVER PANEL
		044-357-EU TOP COVER PANEL FOR EU AIR SYSTEM
044-377	1	BOTTOM COVER PANEL

Contact GRS® or an authorized GRS® dealer for replacement parts or repairs. Visit [GRS.com/dealers](http://GRS.com/dealers) for dealers in your country.

800-835-3519

# FRONT FACE PLATE & MOTOR VALVE



## PART NO. QTY. DESCRIPTION

002-110	1	WASHER
002-590	2	O-RING
004-988	1	BLACK WIRE ASSEMBLY
022-964	4	SCREW
024-106	1	DOWEL PIN
024-392	1	SET SCREW
024-591	1	POWER SWITCH
024-593	3	WASHER
024-594	2	WASHER
024-595	1	O-RING
024-596	1	O-RING
024-600	1	SCREW
024-626	1	CONNECTOR
024-629	2	SPLICE
024-632	1	DOWEL PIN
024-638	1	WASHER
024-640	5	SCREW
024-641	2	SCREW
024-643	2	NUT
024-678	1	DECAL

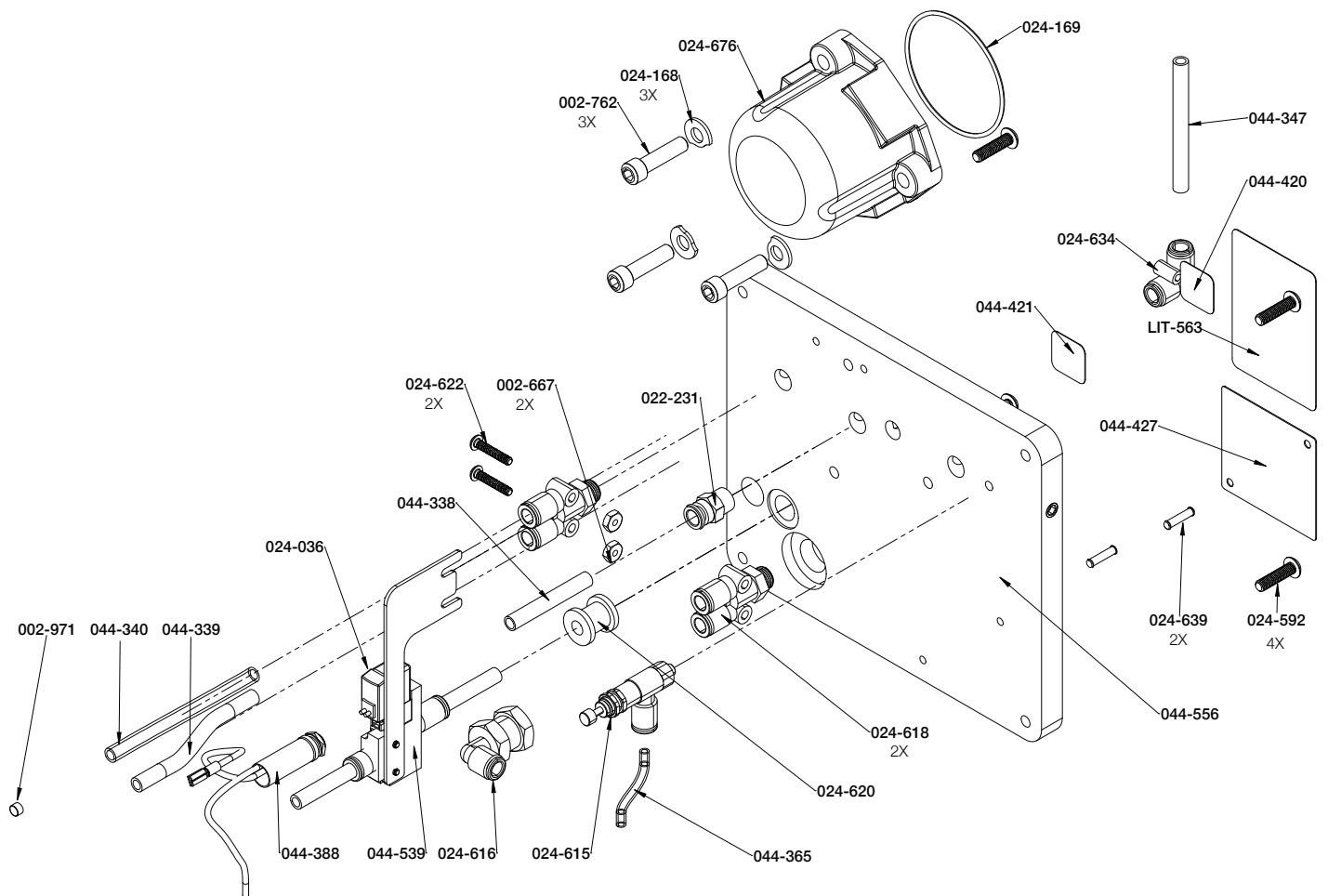
## PART NO. QTY. DESCRIPTION

024-684	1	GAUGE
024-693	3	STANDOFF
044-187	1	BRACKET
044-328	1	FRONT PANEL
044-329	1	AUXILIARY AIR KNOB
044-330	1	HAND FOOT SELECTOR KNOB
044-331	1	HANDPIECE SELECTOR KNOB
044-346	1	SPEED CONTROL KNOB
044-352	2	SPACER
044-383	1	TUBING
044-385	1	TUBING
044-387	1	WIRE HARNESS
044-402	2	RED WIRE ASSEMBLY
044-403	1	BLACK WIRE ASSEMBLY
044-529	1	SPOOL ASSEMBLY
044-530	1	MOTOR VALVE ASSEMBLY
044-538	1	PRESSURE REGULATOR & KNOB
044-552	1	HAND FOOT SHAFT ASSEMBLY
044-553	1	AUXILIARY VALVE

Contact GRS® or an authorized GRS® dealer for replacement parts or repairs. Visit GRS®.com/dealers for dealers in your country.

800-835-3519

# REAR PLATE ASSEMBLY

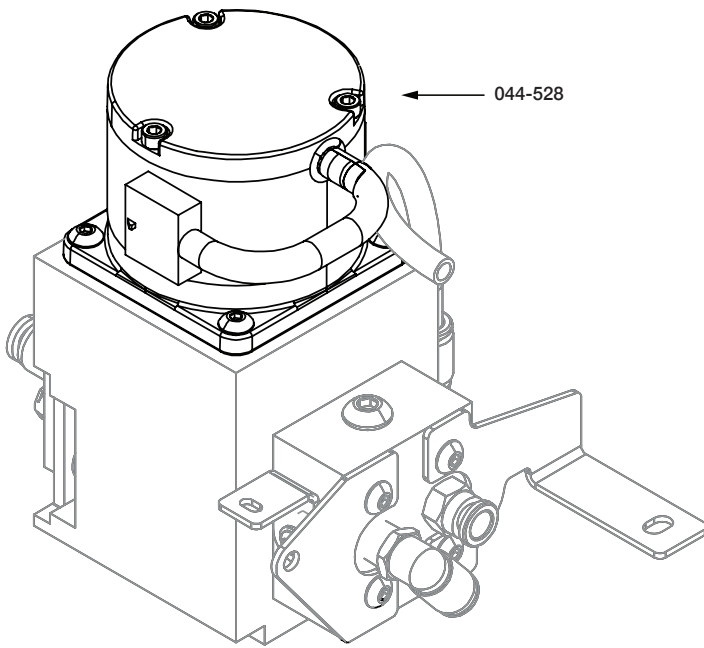


PART NO.	QTY	DESCRIPTION
002-667	2	NUT
002-762	3	SCREW
002-971	1	SINTERED PLUG
022-231	1	FITTING
024-036	1	SOLENOID
024-168	3	WASHER
024-169	1	O-RING
024-592	4	SCREW
024-615	1	REGULATOR
024-616	1	BULKHEAD ELBOW
024-618	2	Y FITTING
024-620	1	GROMMET
024-622	2	SCREW
024-634	1	ELBOW
024-639	2	RIVET

PART NO.	QTY	DESCRIPTION
024-676	1	AIR TANK
044-338	1	TUBING
044-339	1	TUBING
044-340	1	TUBING
044-347	1	TUBING
044-365	1	TUBING
044-388	1	POWER JACK HARNESS
044-420	1	DECAL, AIR INPUT
044-421	1	DECAL, THROTTLE
044-427	1	SERIAL PLATE
044-427-EU FOR EU AIR SYSTEM		
044-539	1	SOLENOID VALVE
044-556	1	REAR PANEL
LIT-563	1	DECAL, DRY AIR NOTICE

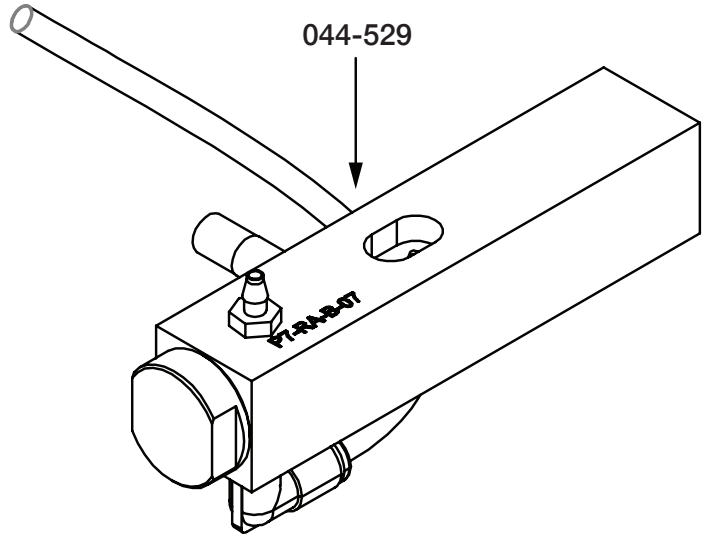
Contact GRS® or an authorized GRS® dealer for replacement parts or repairs. Visit GRS®.com/dealers for dealers in your country.

800-835-3519



## 044-528 Motor Assembly

The Motor Assembly is operator replaceable.  
Contact GRS® or an authorized GRS® dealer for details.



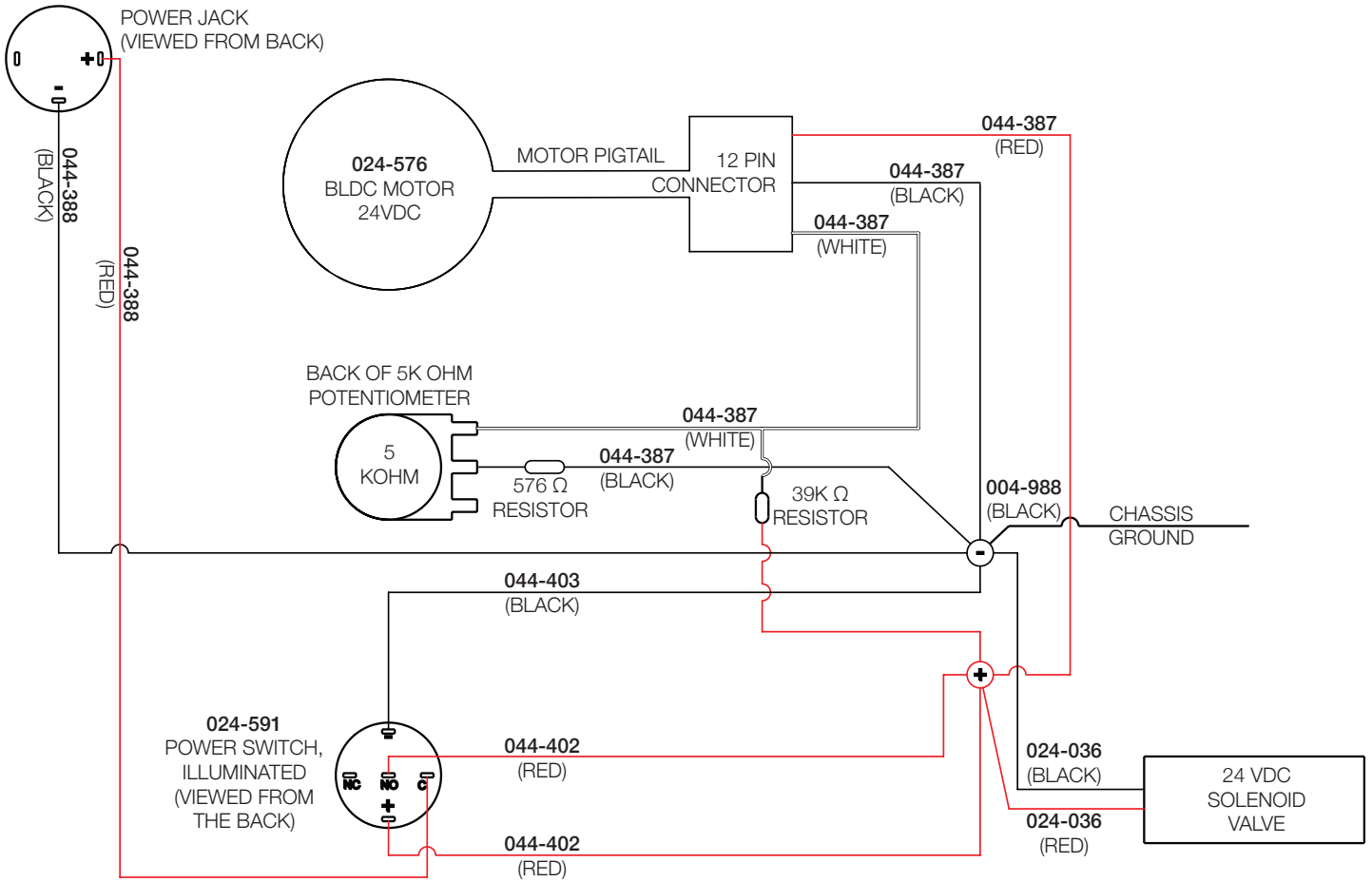
## Spool Assembly

The Spool Assembly is NOT OPERATOR SERVICEABLE.  
This part is factory set to this particular system. Repair or replacement requires return of engraving system to GRS® or an authorized GRS® dealer.

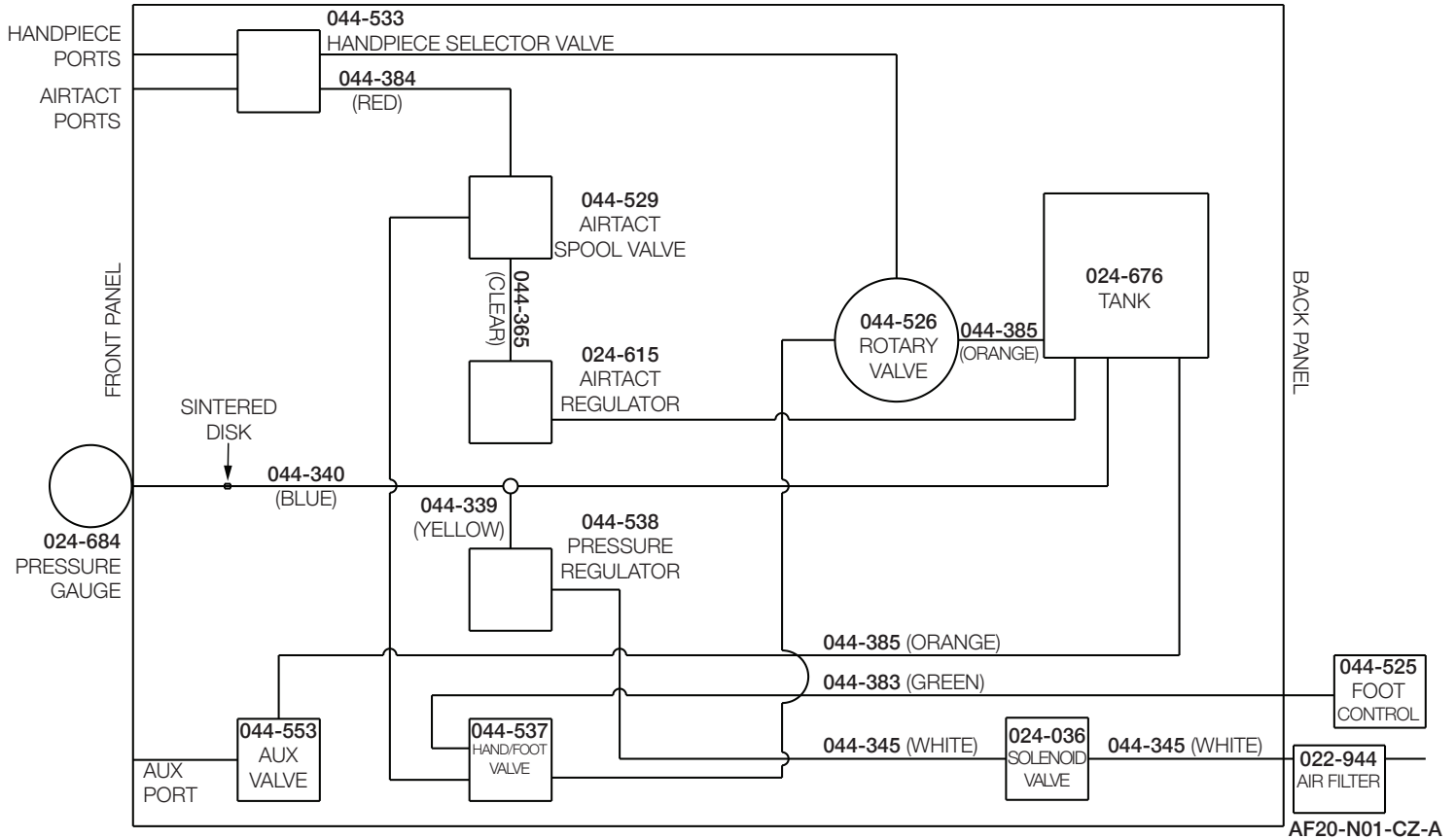
Contact GRS® or an authorized GRS® dealer for replacement parts or repairs. Visit [GRS.com/dealers](http://GRS.com/dealers) for dealers in your country.

800-835-3519

# WIRING DIAGRAM



# HOSE DIAGRAM



## WARRANTY

Each GraverMach® AT, including provided foot throttle, carries a full 2-year warranty covering parts and labor. Contact GRS® or an authorized GRS® dealer before returning any equipment.



These products are designed for reliable operation using most sources of compressed air. However, some air supplies contain excessive water, oil, dirt, rust, or other contaminants. The built-in filter of the engraving system is a final filter to protect against normal dirt and water. If the compressed air has excessive contaminants, install the necessary filter(s) and water trap(s) ahead of the engraving system.



Oil contamination can be gradual and subtle. If an oil residue (usually yellow or brown, sticky or liquid) becomes present in the filter bowl of the engraving system, or in the handpiece / throttle hose, the compressed air most likely contains oil or contaminants. Older oil lubricated and “silent” compressors that use internal oil are more likely to cause oil contamination. If this occurs, install a Coalescing Oil Filter (GRS® #004-730-6MM or equivalent).

**NOTE: Damage caused by contaminated compressed air is not covered by the warranty.**



**Glendo LLC**  
900 Overlander Road  
Emporia, KS 66801 USA

**Phone:** +1-620-343-1084

**Fax:** +1-620-343-9640

**E-mail:** glendo@glendo.com

**grs.com**

GRS®, GraverMach® AT, GraverMach®, GraverMax® G8, GraverMax®, GraverMate®, GraverSmith®, BenchMate®, GraverMeister®, MicroBlock®, Airtact®, BenchMate Encore®, Acrobat®, Thermo-Loc®, GRS Apex®, MicroBlock®, Satellite®, 901®, C-Max®, GlenSteel®, Magnum®, GraverHone® VS, and Optia® are trademarks of Glendo LLC. Covered by USA and foreign patents.  
Printed in USA. Products made in USA.  
© 2009–2024 Glendo LLC. All rights reserved.

LIT-579\_GraverMachAT-Parts